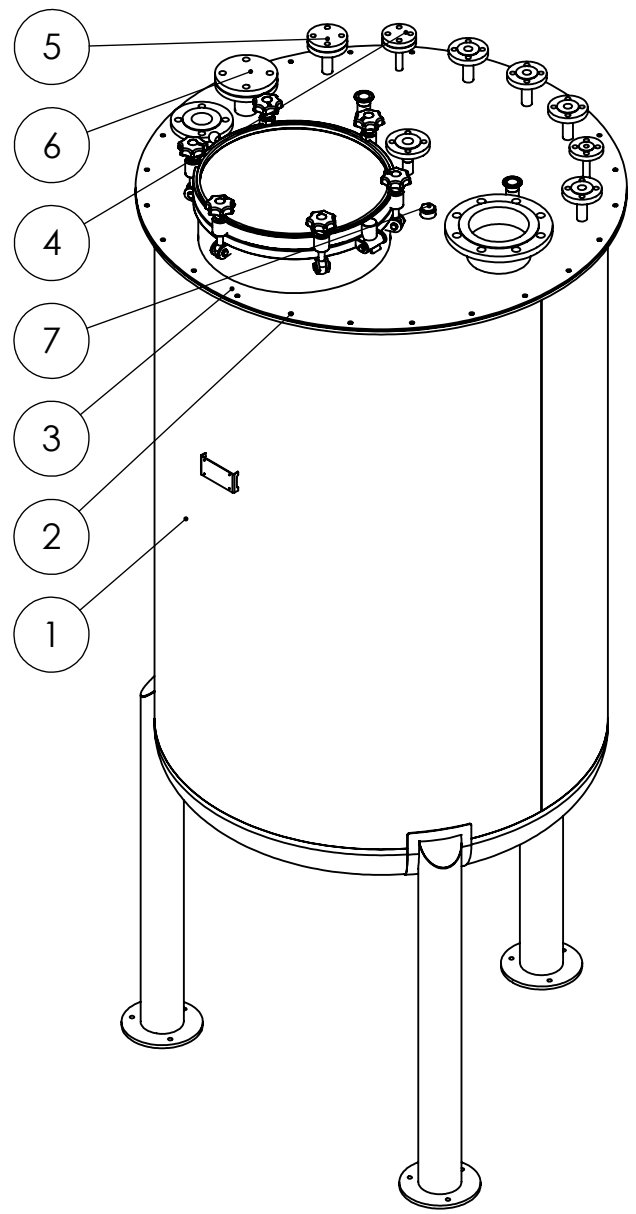


SECTION A-A



8	1	Sproeibol 3_4 - Roterend		
7	1	Blindplug 1inch		
6	1	Blindflens DN50 - PN16		
5	1	Blindflens DN20 - PN40_16_10		
4	1	Blindflens DN10 - PN40_16_10		
3	1	57-001-200	Lassam. Deksel Tank 316L	
2	1	57-001-1007	Pakking	Plaat 2mm
1	1	57-001-100	Lassam. Tank 316L	
POS.	QTY.	PART NUMBER	DESCRIPTION	Specificatie

UNLESS OTHERWISE SPECIFIED: DIMENSIONS ARE IN MILLIMETERS SURFACE FINISH: TOLERANCES: LINEAR: ANGULAR:	SPECIFICATIE:	DEBURR AND BREAK SHARP EDGES	DO NOT SCALE DRAWING	REVISION
	MATERIAL:			



Houtmanskampweg 11 6669 MZ Dodewaard info@crumrvs.nl T: 06 11 24 15 49 www.crumrvs.nl

TITLE:
**Sam. Tank 1650L
(RVS 316)**

DRW NO. **57-001-000** A3